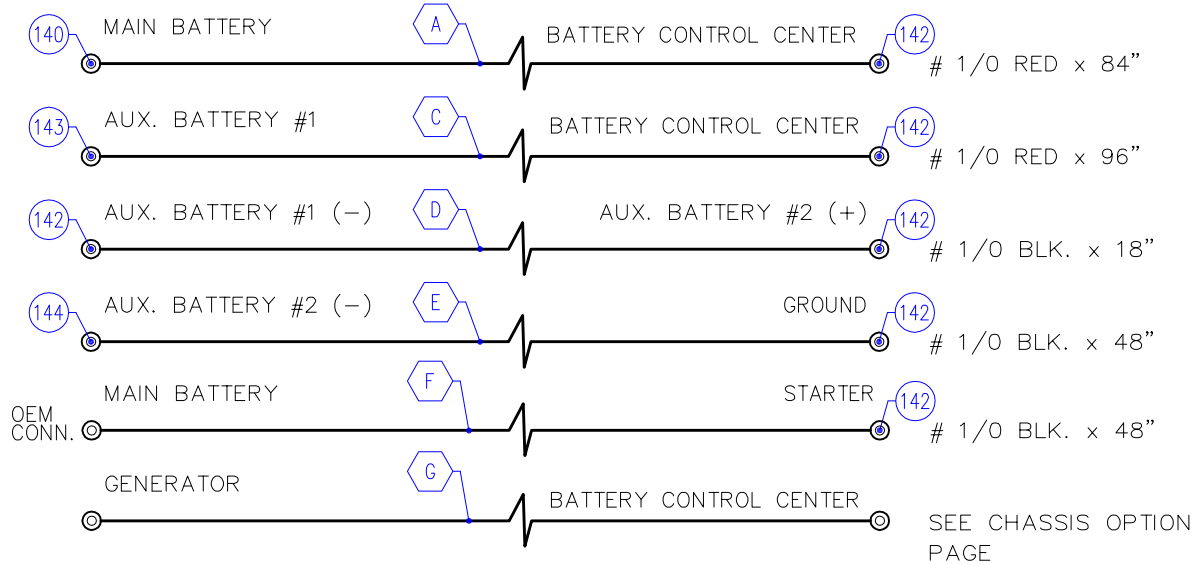
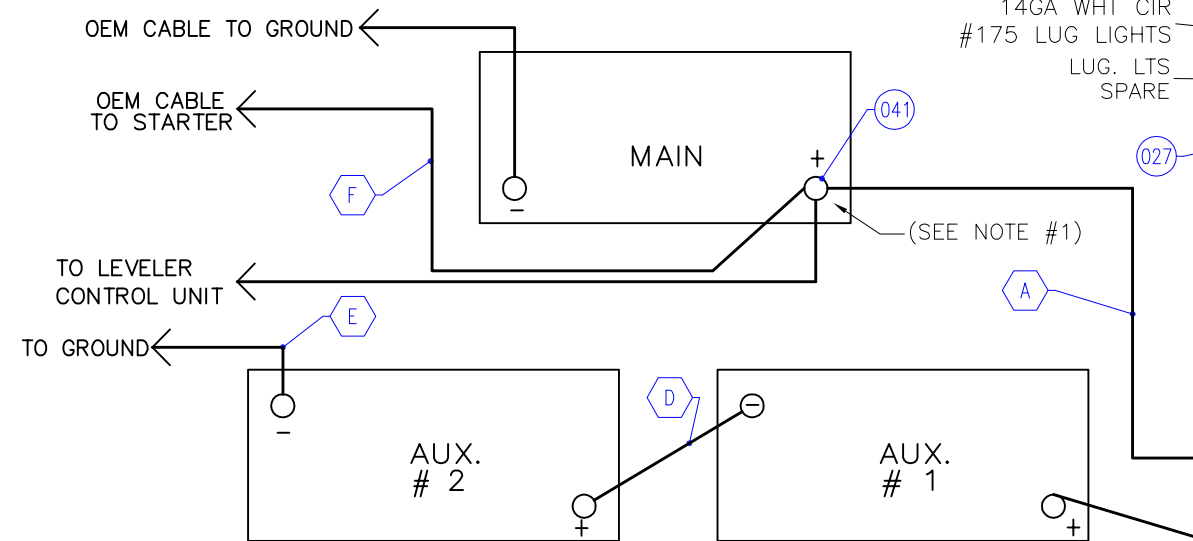


D.C. RELEASE	DESCRIPTION	DATE	BY	SCALE: 6" = 1'-0"	USED ON:	FLEETWOOD	PAGE NO. 739-02-19200
				DRAWN: Carmen T	DATE: 10-24-05		
				PROJECT: 07739300		TITLE: CHASSIS ELECTRICAL	
07-00		02/07/06	RP	PLOT: 11/15/05 12:58:04 001padili	AUX. INFO.	- FORD -	

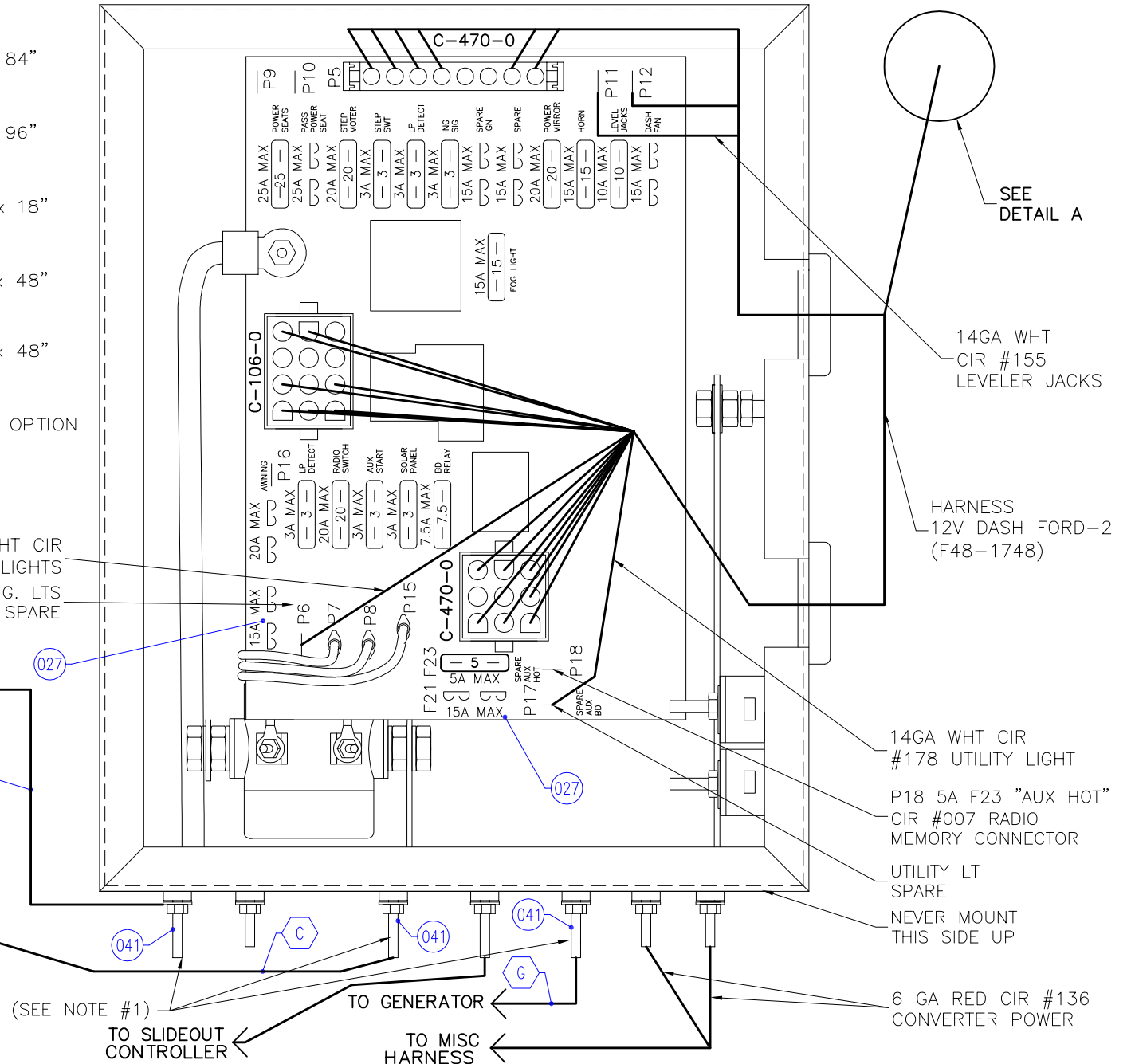


WIRE LENGTHS & FUNCTIONS

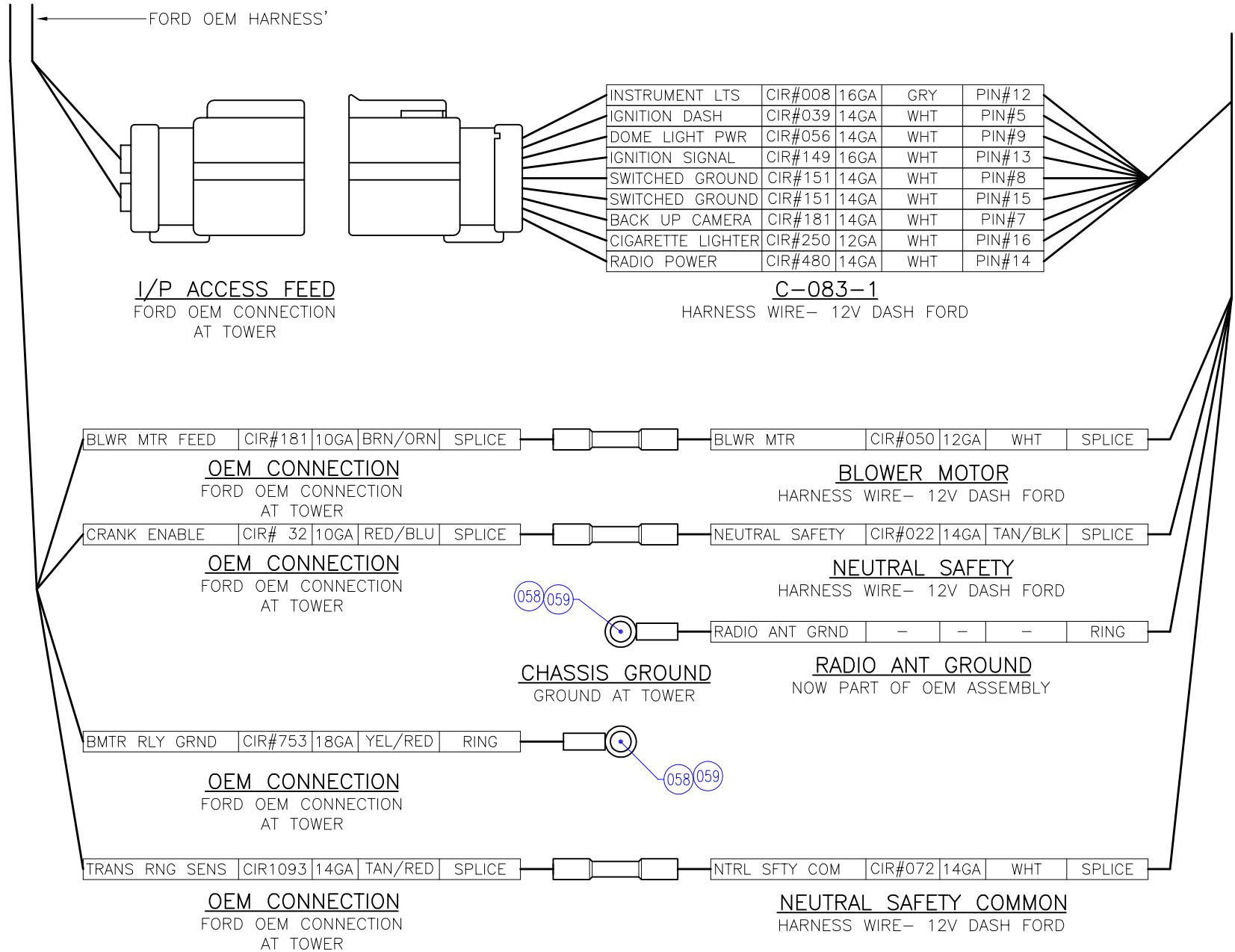


NOTES:

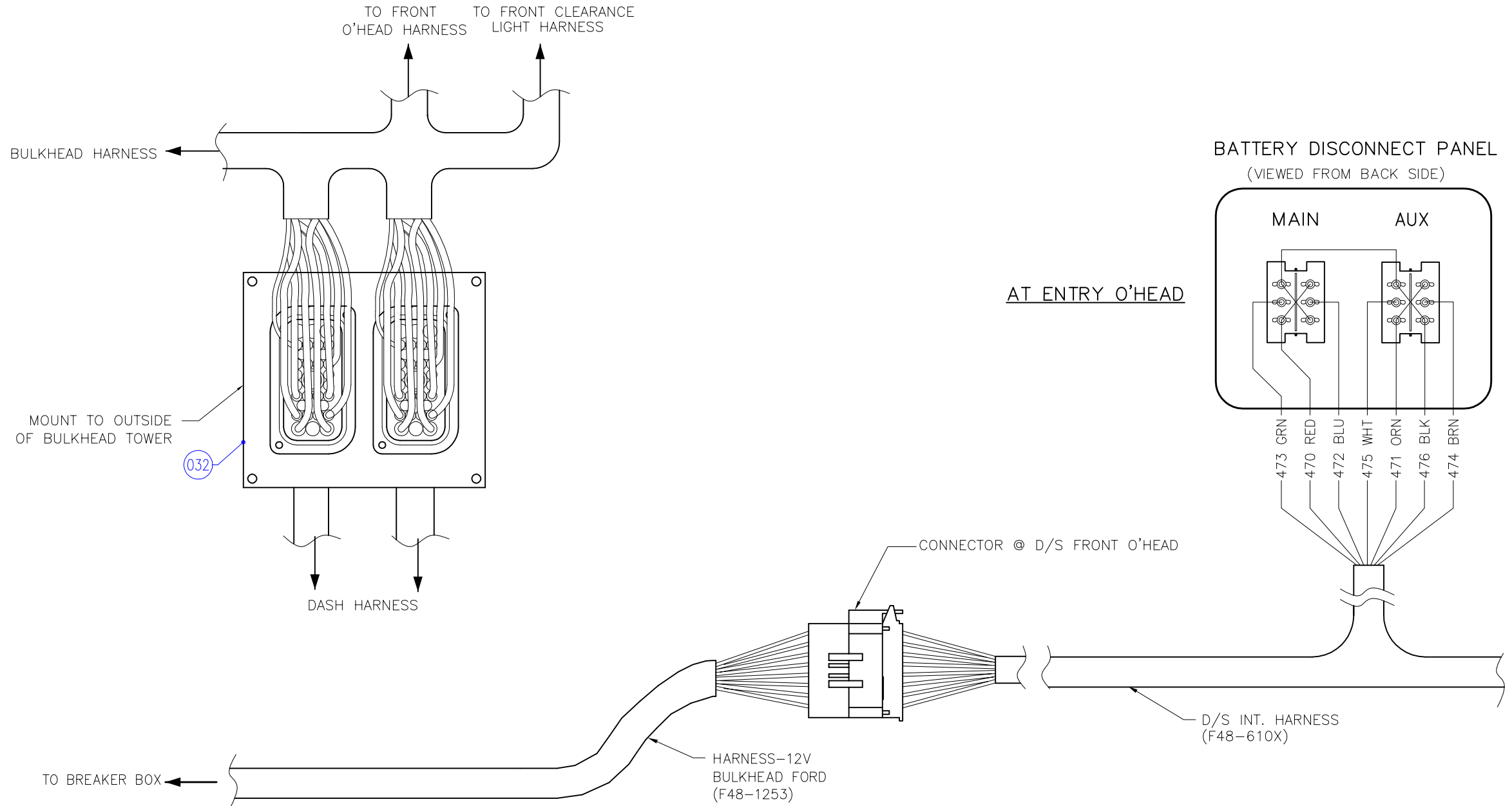
- UTILIZE PROTR- BATT TERM/WESCO © HOT TERMINALS, PLACE ON TOP WIRE CONNECTOR ONLY.



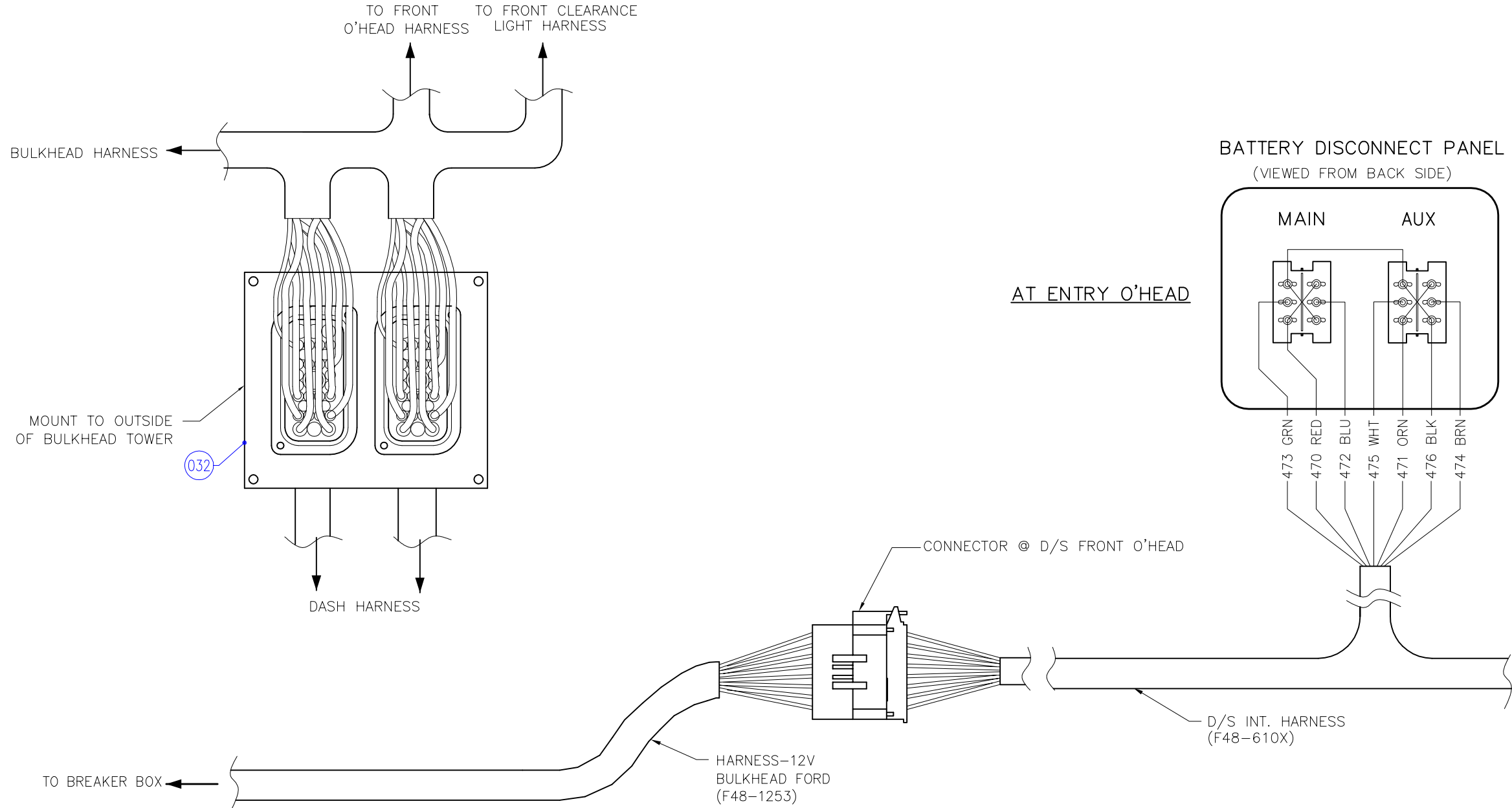
D.C. RELEASE	DESCRIPTION	DATE	BY	SCALE: 12" = 1'-0"	USED ON:	FLEETWOOD	PAGE NO. 739-02-19200
				DRAWN: Carmen T DATE: 10-24-05			
				PROJECT: 07739300		TITLE: CHASSIS ELECTRICAL	
07-00		02/07/06	RP	PLOT: 11/15/05 12:58:32 001padili	AUX. INFO.	- FORD -	



D.C. RELEASE	DESCRIPTION	DATE	BY	SCALE: 9" = 1'-0"	USED ON:	FLEETWOOD	PAGE NO. 739-02-19200
				DRAWN: Carmen T	DATE: 10-24-05		
				PROJECT: 07739300		TITLE: CHASSIS ELECTRICAL	
07-00		02/07/06	RP	PLOT: 11/15/05 12:58:50 001padili	AUX. INFO.	- FORD -	



D.C. RELEASE	DESCRIPTION	DATE	BY	SCALE: 9" = 1'-0"	USED ON:	FLEETWOOD	PAGE NO. 739-02-19200
				DRAWN: Carmen T	DATE: 10-24-05		
				PROJECT: 07739300		TITLE: CHASSIS ELECTRICAL	
07-00		02/07/06	RP	PLOT: 11/15/05 12:59:15 001padili	AUX. INFO.	- FORD -	



D.C. RELEASE	DESCRIPTION	DATE	BY	SCALE: 1" = 1'-0"	USED ON:	FLEETWOOD	PAGE NO. 739-02-19200
				DRAWN: Carmen T	DATE: 10-24-05	RECREATIONAL VEHICLE GROUP	SHEET 5 OF 5
				PROJECT: 07739300		TITLE: CHASSIS ELECTRICAL	
07-00		02/07/06	RP	PLOT: 11/15/05 12:59:46 001padlii	AUX. INFO.	-FORD-	

