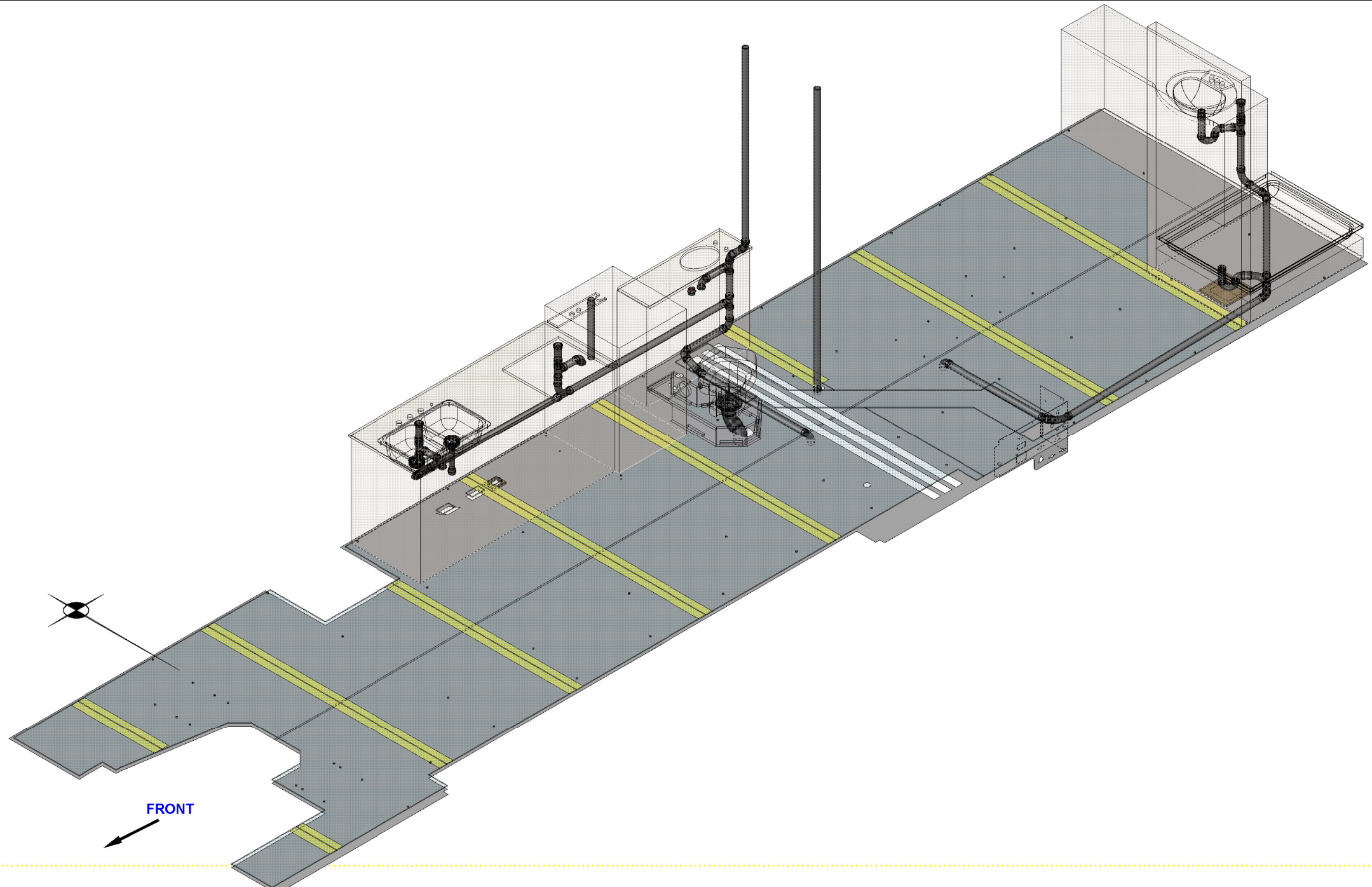
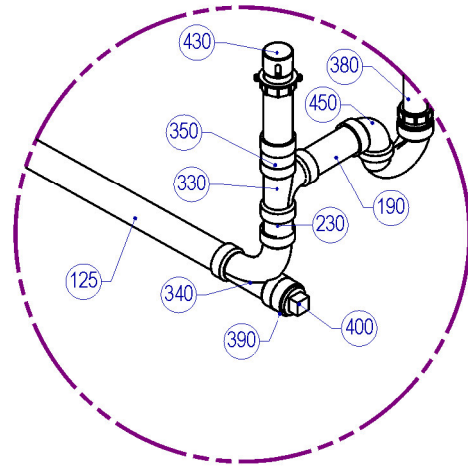


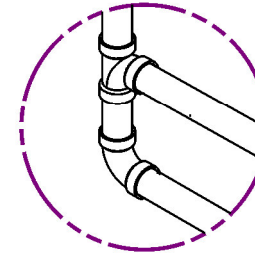
D.C. RELEASE	DESCRIPTION	DATE	BY	SCALE: 3/8" = 1'-0"	USED ON:	<b>FLEETWOOD</b> RECREATIONAL VEHICLE GROUP	PAGE NO. 739-10-00005
				DRAWN: F. Jones DATE: 01/12/06			SHEET 1 OF 3
				VERSION: Pre-Rel. WIP 2 / Pre-Rel. WIP 2		TITLE: DRAIN PLUMBING - 35E	
<b>07-00</b>		01/12/06	MY	PLOT: 03/20/06 11:41:34 ADG	AUX. INFO.		



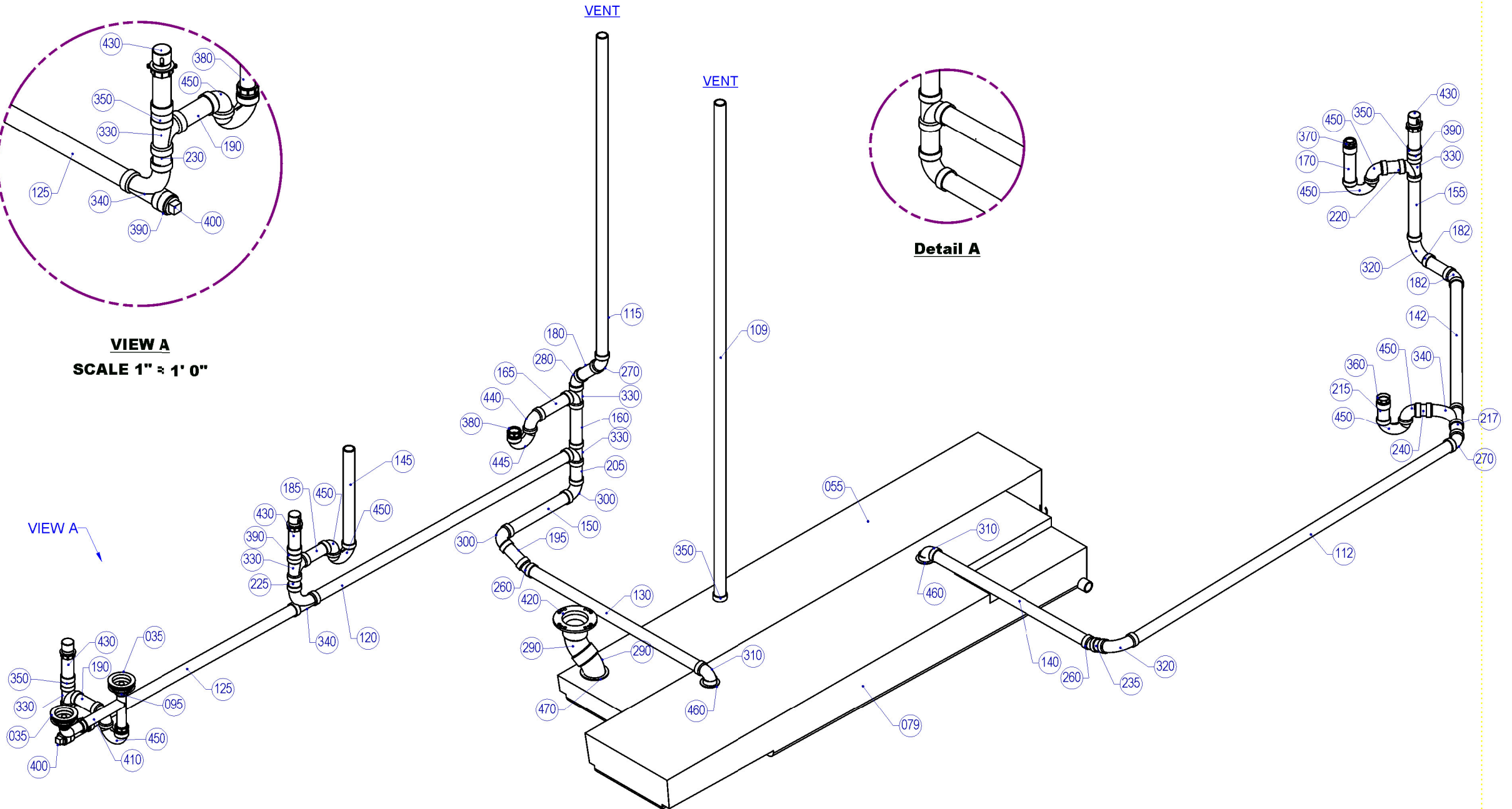
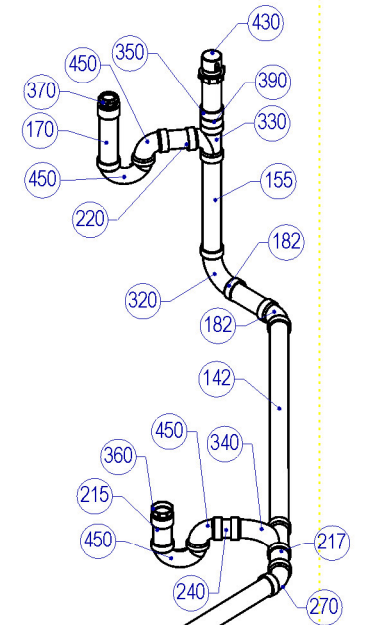
D.C. RELEASE	DESCRIPTION	DATE	BY	SCALE: 3/8" = 1'-0"	USED ON: 35E	<b>FLEETWOOD</b>	PAGE NO. 739-10-00005
				DRAWN: F. Jones	DATE: 01/12/06		RECREATIONAL VEHICLE GROUP
				VERSION: Pre-Rel. WIP 2 / Pre-Rel. WIP 2		TITLE: DRAIN PLUMBING - 35E	
<b>07-00</b>		01/12/06	MY	PLOT: 03/20/06 11:41:34 ADG	AUX. INFO.		



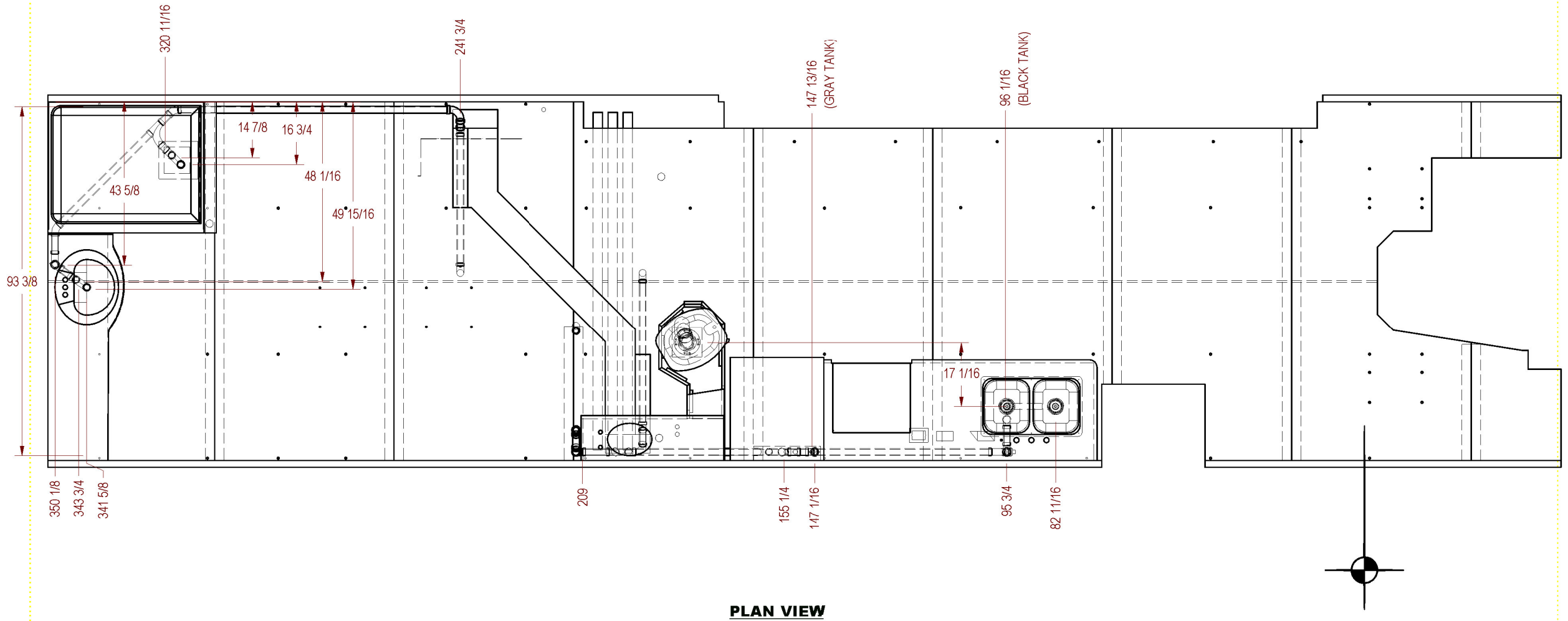
**VIEW A**  
SCALE 1" = 1' 0"



**Detail A**



D.C. RELEASE	DESCRIPTION	DATE	BY	SCALE: 3/8" = 1'-0"	USED ON:	<b>FLEETWOOD</b>	PAGE NO. 739-10-00005
				DRAWN: F. Jones	DATE: 01/12/06		RECREATIONAL VEHICLE GROUP
				VERSION: Pre-Rel. WIP 2 / Pre-Rel. WIP 2		TITLE: DRAIN PLUMBING - 35E	
<b>07-00</b>		01/12/06	MY	PLOT: 03/20/06 11:41:34 ADG	AUX. INFO.		



**PLAN VIEW**