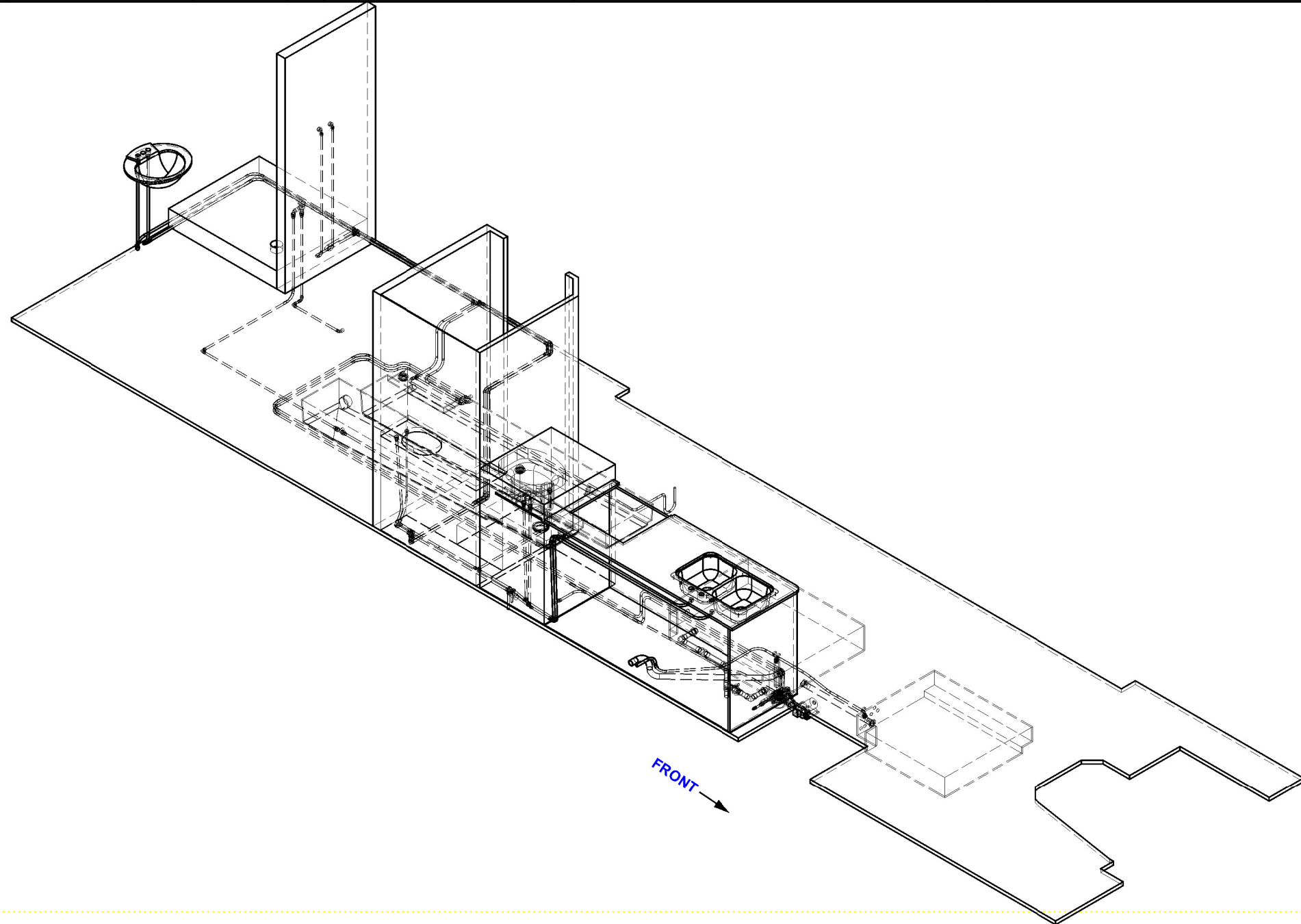
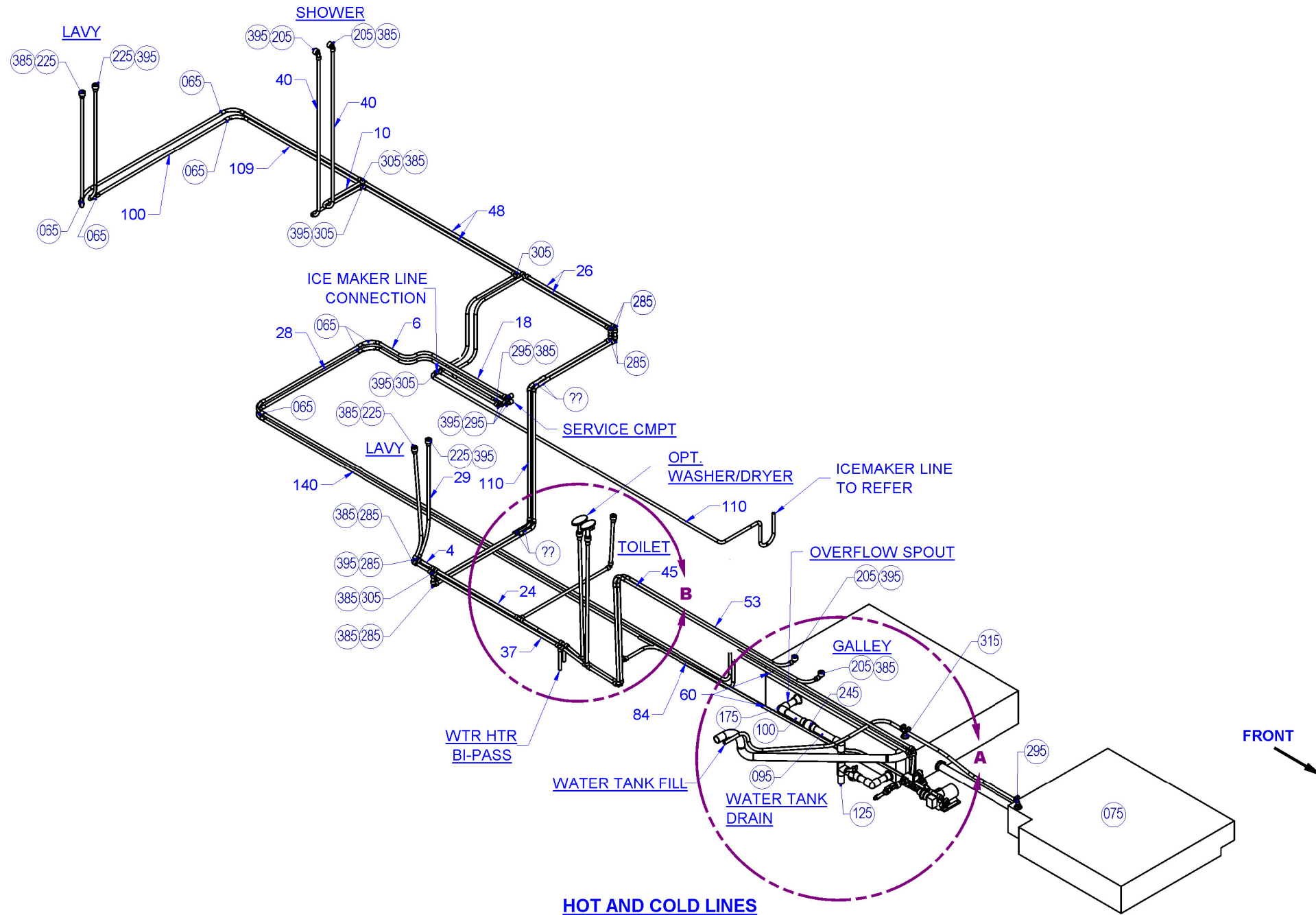


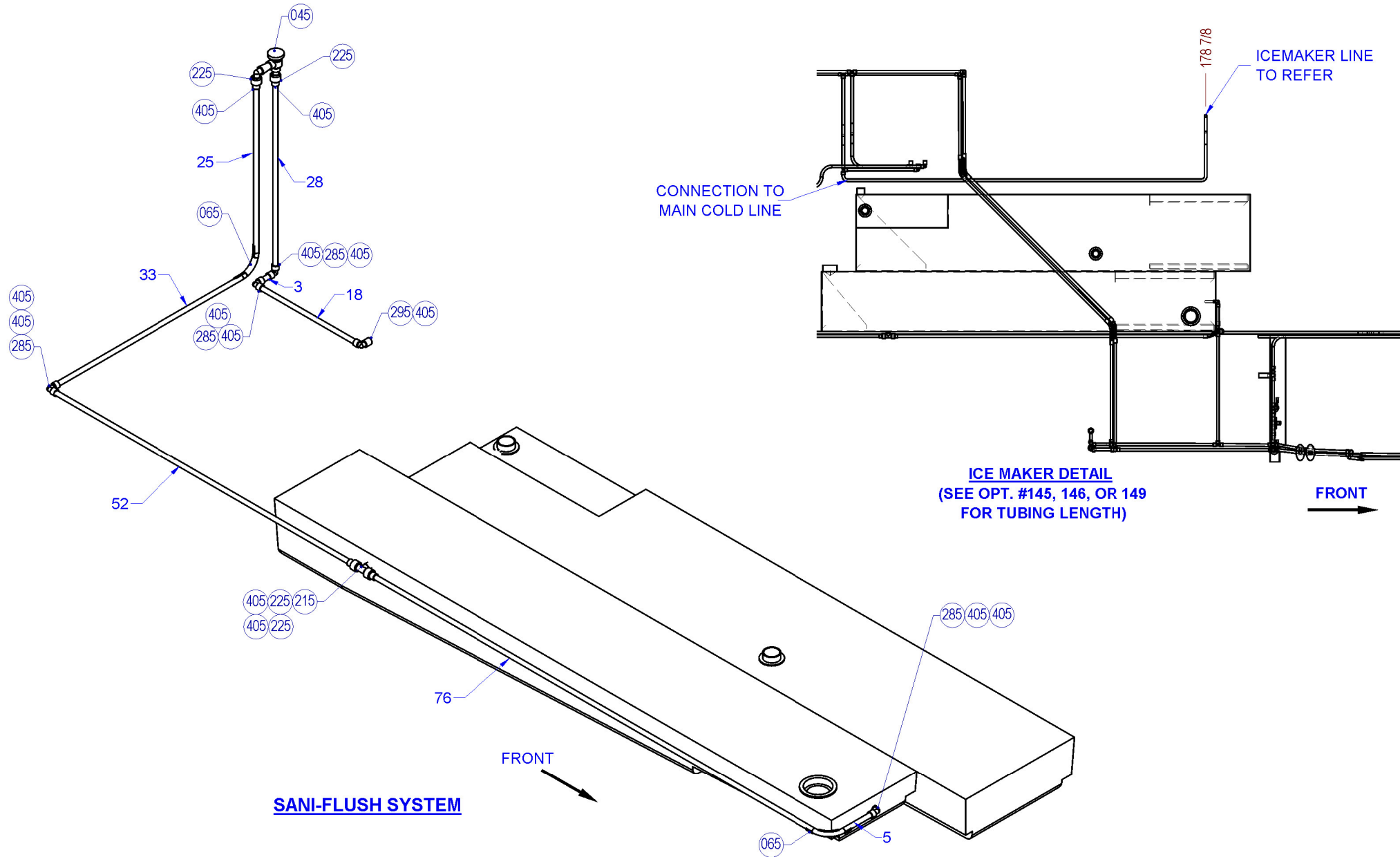
|              |             |          |    |  |                |                                    |                            |
|--------------|-------------|----------|----|--|----------------|------------------------------------|----------------------------|
| D.C. RELEASE | DESCRIPTION | DATE     | BY | SCALE: 1/2" = 1'-0"                      | USED ON:       | <b>FLEETWOOD</b>                   | PAGE NO. 739-09-00005      |
|              |             |          |    | DRAWN: K. Breslin                        | DATE: 01/11/06 |                                    | RECREATIONAL VEHICLE GROUP |
|              |             |          |    | VERSION: Pre-Rel. WIP 2 / Pre-Rel. WIP 2 |                | TITLE: HOT AND COLD PLUMBING - 35E |                            |
| <b>07-00</b> |             | 01/11/06 | MY | PLOT: 03/20/06 11:40:02 ADG              | AUX. INFO.     |                                    |                            |



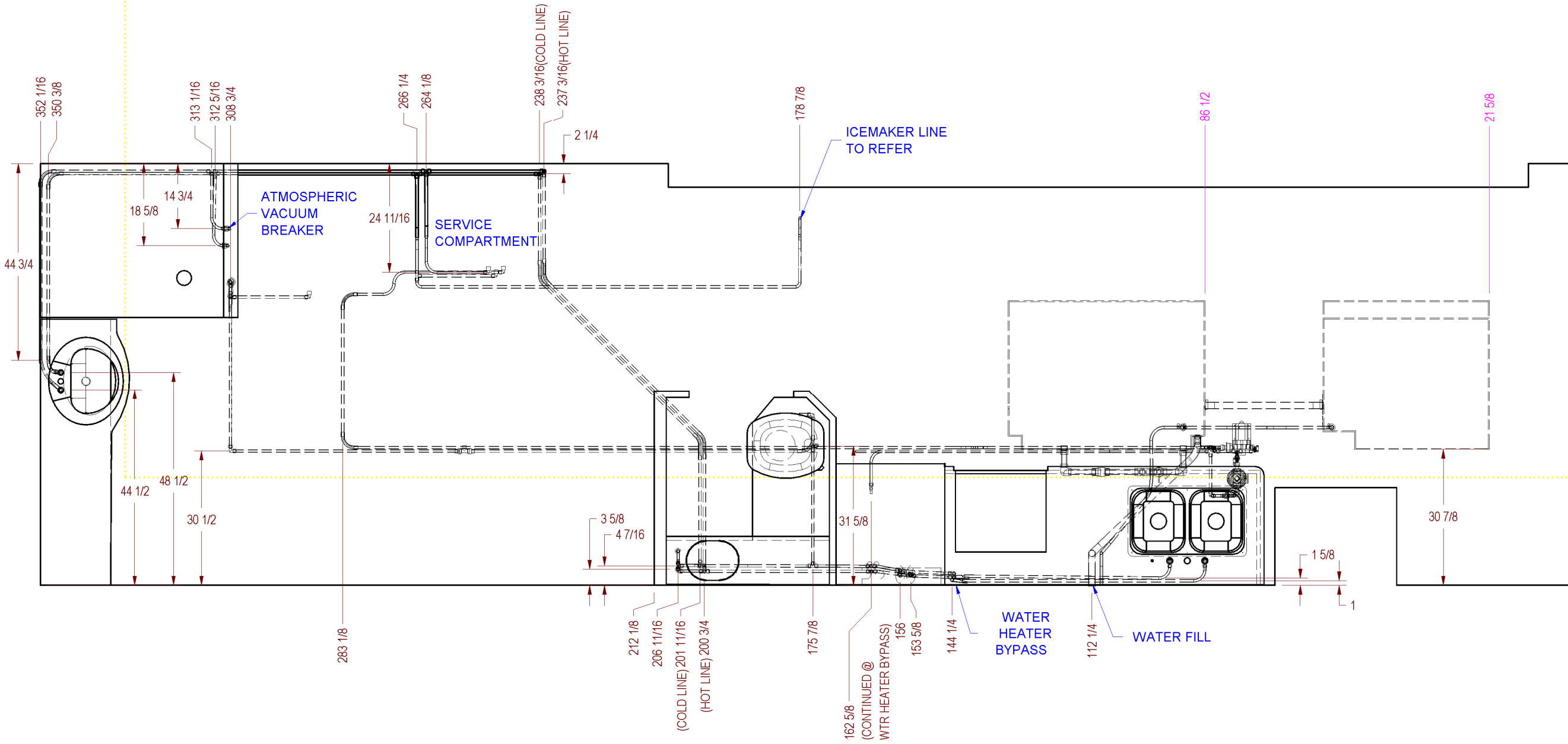
|              |             |          |    |  |                |  |                       |
|--------------|-------------|----------|----|--|----------------|--|-----------------------|
| D.C. RELEASE | DESCRIPTION | DATE     | BY | SCALE: 5/8" = 1'-0"                      | USED ON:       | <b>FLEETWOOD</b><br>RECREATIONAL VEHICLE GROUP | PAGE NO. 739-09-00005 |
|              |             |          |    | DRAWN: K. Breslin                        | DATE: 01/11/06 |  | SHEET 2 OF 5          |
|              |             |          |    | VERSION: Pre-Rel. WIP 2 / Pre-Rel. WIP 2 |                | TITLE: HOT AND COLD PLUMBING - 35E             |                       |
| <b>07-00</b> |             | 01/11/06 | MY | PLOT: 03/20/06 11:40:02 ADG              | AUX. INFO.     |  |                       |



|              |             |          |    |  |                |  |                       |
|--------------|-------------|----------|----|--|----------------|--|-----------------------|
| D.C. RELEASE | DESCRIPTION | DATE     | BY | SCALE: 1" = 1'-0"                        | USED ON:       | <b>FLEETWOOD</b><br>RECREATIONAL VEHICLE GROUP | PAGE NO. 739-09-00005 |
|              |             |          |    | DRAWN: K. Breslin                        | DATE: 01/11/06 |  | SHEET 3 OF 5          |
|              |             |          |    | VERSION: Pre-Rel. WIP 2 / Pre-Rel. WIP 2 |                | TITLE: HOT AND COLD PLUMBING - 35E             |                       |
| <b>07-00</b> |             | 01/11/06 | MY | PLOT: 03/20/06 11:40:02 ADG              | AUX. INFO.     |  |                       |

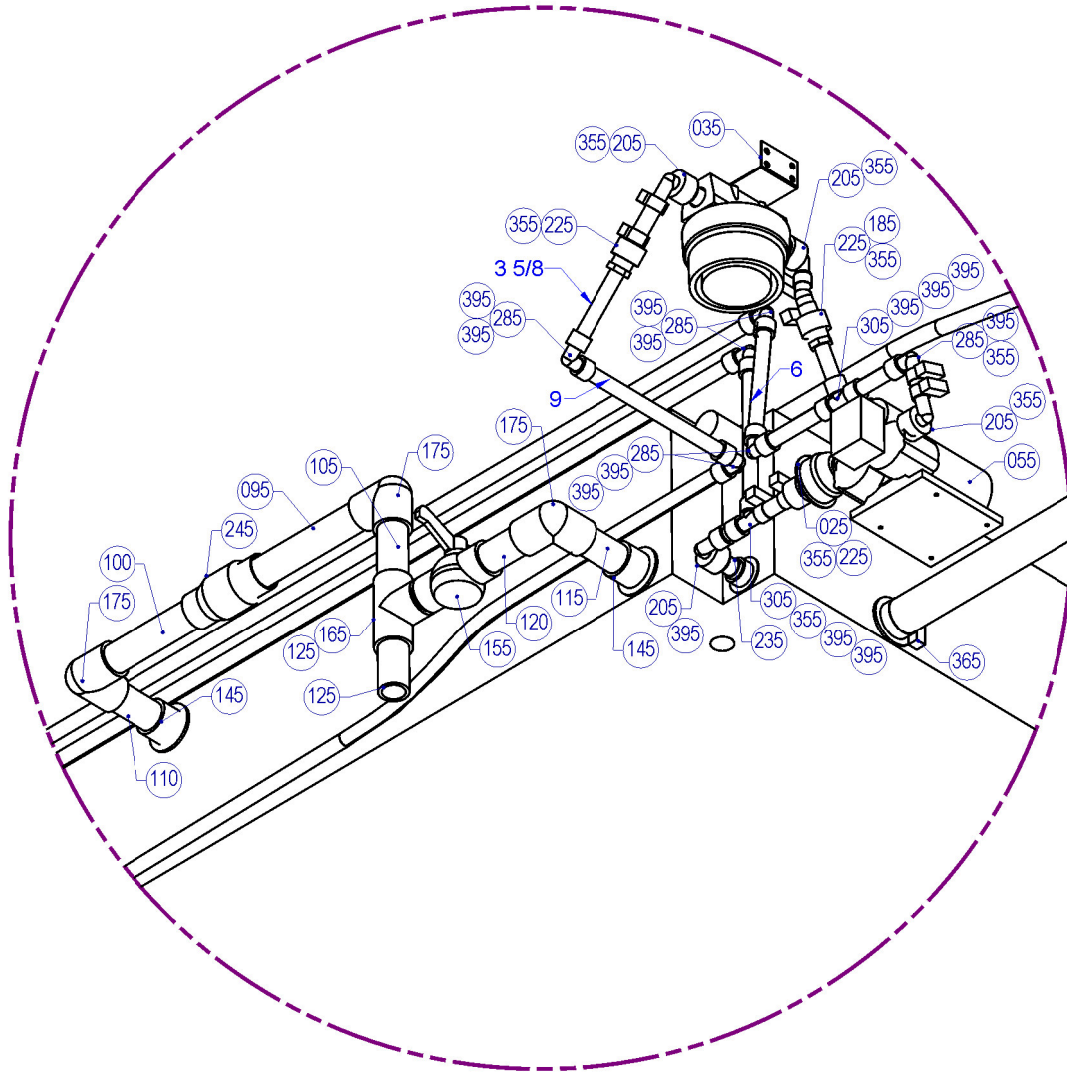


|              |             |          |    |  |                |                                    |                            |
|--------------|-------------|----------|----|--|----------------|------------------------------------|----------------------------|
| D.C. RELEASE | DESCRIPTION | DATE     | BY | SCALE: 1/2" = 1'-0"                      | USED ON:       | <b>FLEETWOOD</b>                   | PAGE NO. 739-09-00005      |
|              |             |          |    | DRAWN: K. Breslin                        | DATE: 01/11/06 |                                    | RECREATIONAL VEHICLE GROUP |
|              |             |          |    | VERSION: Pre-Rel. WIP 2 / Pre-Rel. WIP 2 |                | TITLE: HOT AND COLD PLUMBING - 35E |                            |
| <b>07-00</b> |             | 01/11/06 | MY | PLOT: 03/20/06 11:40:02 ADG              | AUX. INFO.     |                                    |                            |

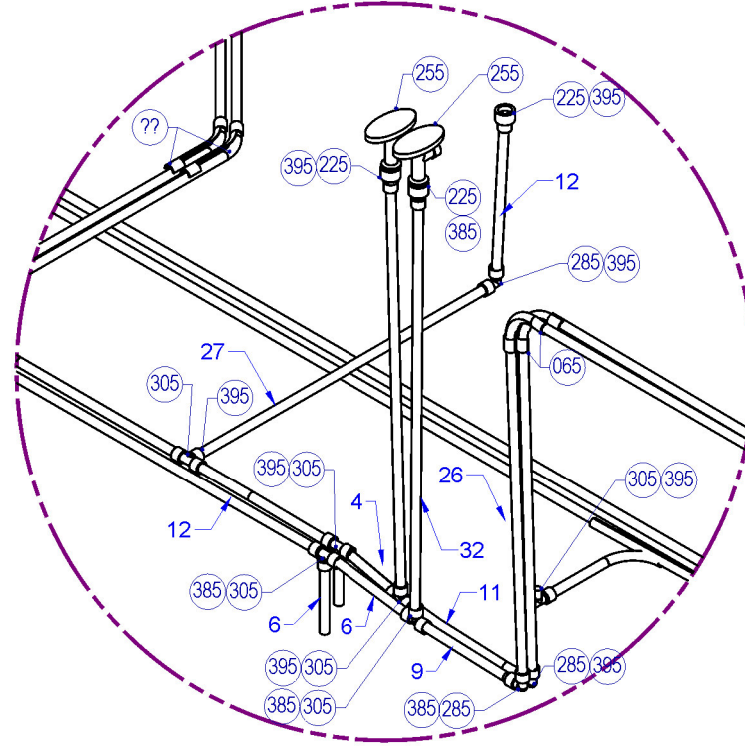


**TOP**

|              |             |                 |    |  |                |   |                            |                     |
|--------------|-------------|-----------------|----|--|----------------|---|----------------------------|---------------------|
| D.C. RELEASE | DESCRIPTION | DATE            | BY | SCALE: ????" = 1'-0"                     | USED ON:       | <b>FLEETWOOD</b>                          | PAGE NO.                   | <b>739-09-00005</b> |
|              |             |                 |    | DRAWN: K. Breslin                        | DATE: 01/11/06 |   | RECREATIONAL VEHICLE GROUP | SHEET               |
|              |             |                 |    | VERSION: Pre-Rel. WIP 2 / Pre-Rel. WIP 2 |                | TITLE: <b>HOT AND COLD PLUMBING - 35E</b> |                            |                     |
| <b>07-00</b> |             | <b>01/11/06</b> | MY | PLOT: 03/20/06 11:40:02 ADG              | AUX. INFO.     |   |                            |                     |



**Detail A**  
**SCALE 1 1/2" = 1' 0"**  
(VIEW FROM BOTTOM)



**Detail B**  
**SCALE 1" = 1' 0"**